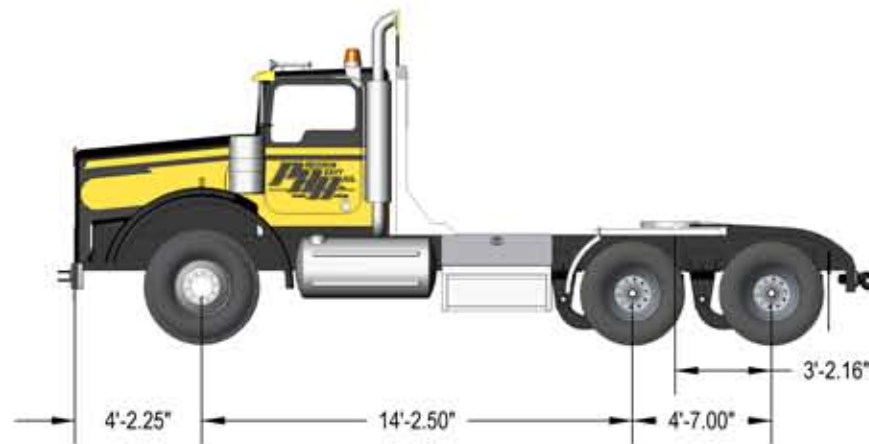
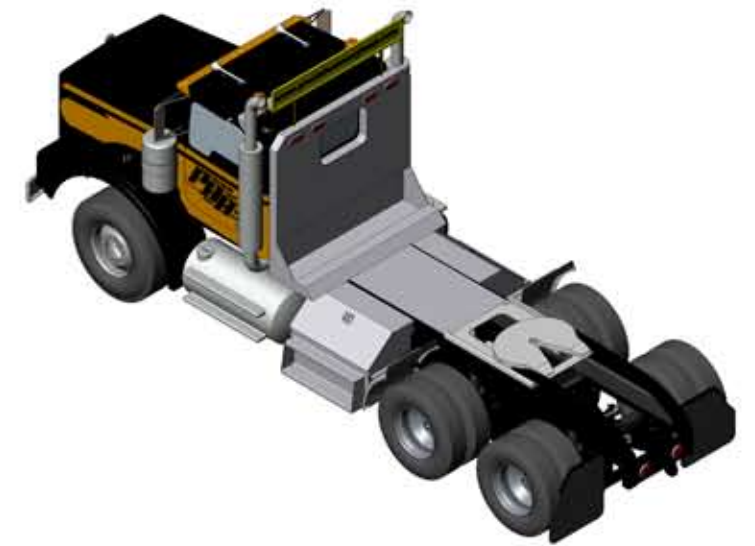
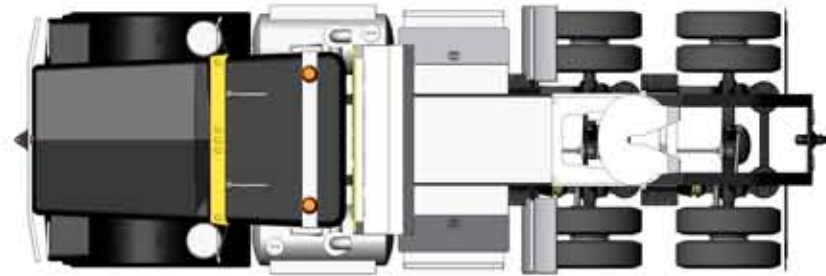


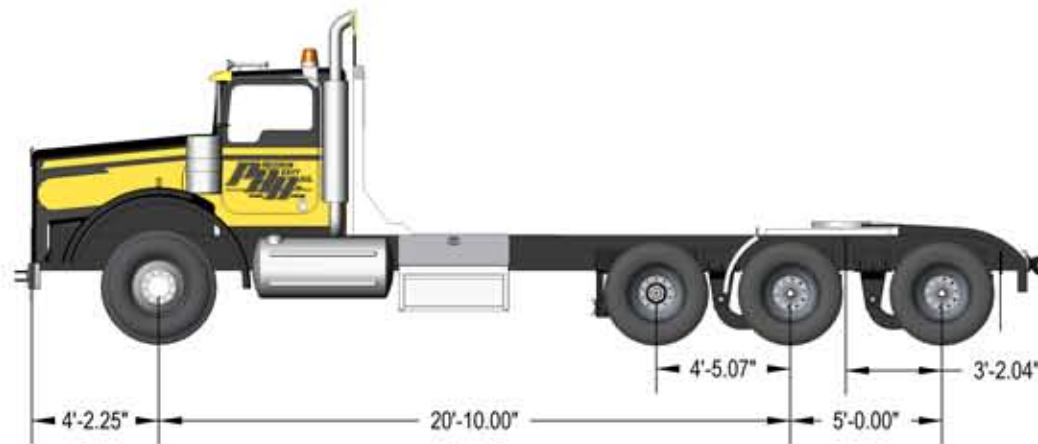
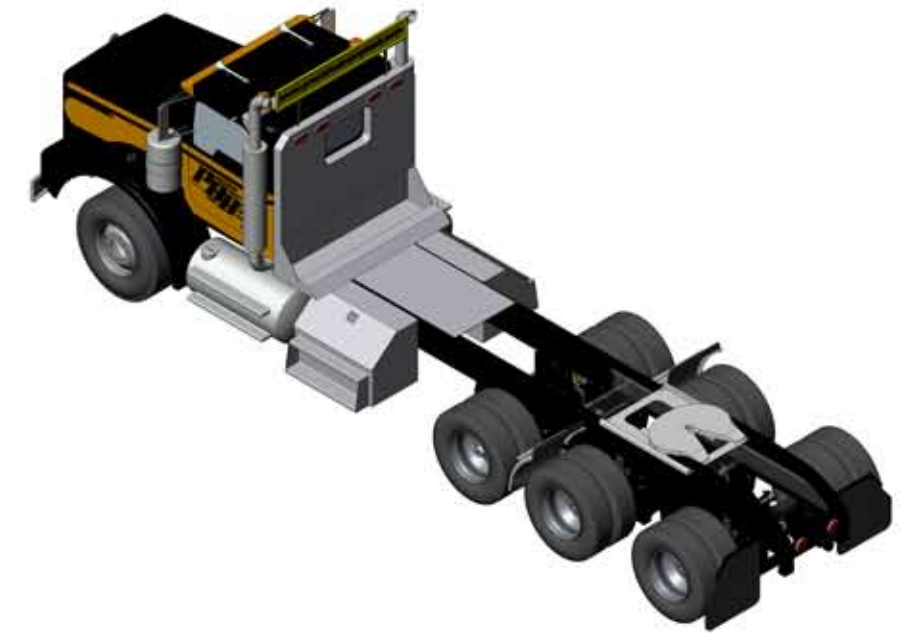
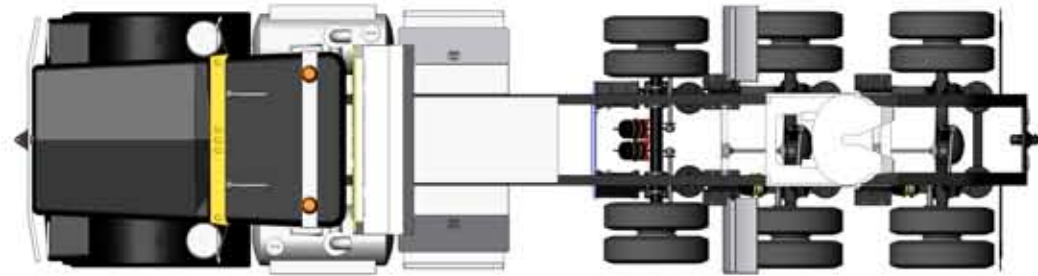
REV.	DESCRIPTION	ECN	DATE	BY
------	-------------	-----	------	----



NOTE: PARENTHESIS () DENOTES REFERENCE DIMENSION

DEPTS AFFECTED	TOLERANCES (EXCEPT AS NOTED)	DESCRIPTION: PHH TRUCK		
-	DECIMAL + .06	PREVIOUS ASSY: -	SHEET: 1 OF 1	
-	FRACTIONAL + 1/16	SUSPENSION MODEL: -	SCALE: 1:76	
-	ANGULAR + 1°	DATE: 01/10/08	DRAWN BY: TEG	SIZE: B
DRAWING NO: TRUCK				

REV.	DESCRIPTION	ECN	DATE	BY
------	-------------	-----	------	----



NOTE: PARENTHESIS () DENOTES REFERENCE DIMENSION

DEPTS AFFECTED	TOLERANCES (EXCEPT AS NOTED)	DESCRIPTION: PHH TRUCK	
-	DECIMAL + .06	PREVIOUS ASSY: -	SHEET: 1 OF 1
-	FRACTIONAL + 1/16	SUSPENSION MODEL: -	SCALE: 1:76
-	ANGULAR + 1°	DATE: 01/03/11	DRAWN BY: TEG
		SIZE: B	DRAWING NO: TRUCK-4